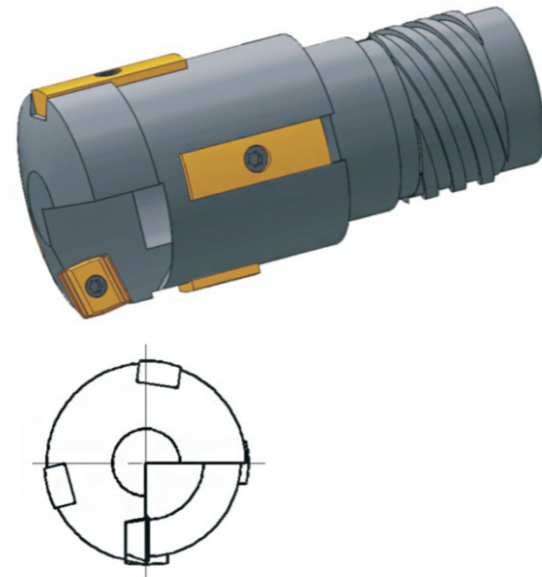
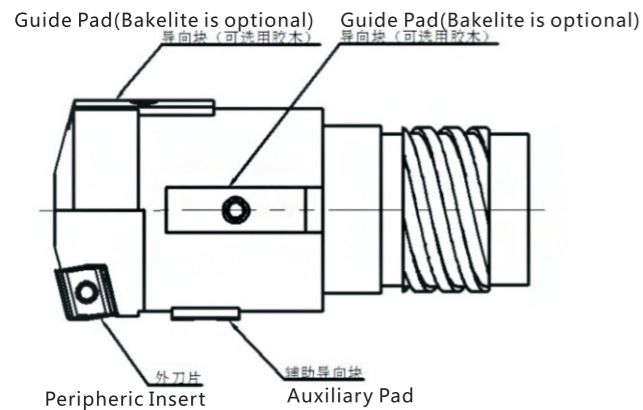


机夹式扩孔钻 粗加工/半精加工用

Indexable Counterbore (for rough and semi-finish machining)

刀片式机夹式扩孔钻

Indexable Counterbore with Insert Only
As Per Request



配件名称 Product Code	配件型号 Order No.	配用数量 Quantity Required	螺钉 Screw	扳手 Wrench
刀体 Drill Head	JKφ25.00-JKφ28.70	1		
外刀片 Peripheric Insert	P060308-G	1	M2.2JK	T7
导向块 Guide Pad	DQ0625	2	M2.5	T8
辅助导向块 Auxiliary Pad	FDQ0616	1	M2.5	T8
胶木导向块 Bakelite guide pad	DQ0625JM	1	M2.5	T8
刀体 Drill Head	JKφ28.71-JKφ30.70	1		
外刀片 Peripheric Insert	P060308-G	1	M2.2JK	T7
导向块 Guide Pad	DQ0625	2	M2.5	T8
辅助导向块 Auxiliary Pad	FDQ0618	1	M2.5	T8
胶木导向块 Bakelite guide pad	DQ0625JM	1	M2.5	T8
刀体 Drill Head	JKφ30.71-JKφ34.90	1		
外刀片 Peripheric Insert	P08T308-G	1	M2.5JK	T7
导向块 Guide Pad	DQ0625	2	M2.5	T8
辅助导向块 Auxiliary Pad	FDQ0618	1	M2.5	T8
胶木导向块 Bakelite guide pad	DQ0625JM	1	M2.5	T8
刀体 Drill Head	JKφ34.91-JKφ38.90	1		
外刀片 Peripheric Insert	P08T308-G	1	M2.5JK	T7
导向块 Guide Pad	DQ0825	2	M3	T10
辅助导向块 Auxiliary Pad	FDQ0812	1	M3	T10
胶木导向块 Bakelite guide pad	DQ0825JM	1	M3	T10

刀片槽型选用参考深孔钻, 可根据用户要求特别定制, 辅助导向块及胶木导向块由用户选配。
Refer to deep drills for inserts chip breaker; Special design as per customer's request is available
Auxiliary guide pad and bakelite guide pad are optional as per customer's request.

配件名称 Product Code	配件型号 Order No.	配用数量 Quantity Required	螺钉 Screw	扳手 Wrench
刀体 Drill Head	JKφ38.91-JKφ47.90	1		
外刀片 Peripheric Insert	P09T308-G	1	M2.5JK	T7
导向块 Guide Pad	DQ0825	2	M3	T10
辅助导向块 Auxiliary Pad	FDQ0812	1	M3	T10
胶木导向块 Bakelite Pad	DQ0825JM	1	M3	T10
刀体 Drill Head	JKφ47.91-JKφ49.40	1		
外刀片 Peripheric Insert	P11T308-G	1	M2.5JK	T7
导向块 Guide Pad	DQ1030	2	M3	T10
辅助导向块 Auxiliary Pad	FDQ1015	1	M3	T10
胶木导向块 Bakelite Pad	DQ1030JM	1	M3	T10
刀体 Drill Head	JKφ49.41-JKφ65.00	1		
外刀片 Peripheric Insert	P11T308-G	1	M2.5JK	T7
导向块 Guide Pad	DQ12H	2	M5	T20
辅助导向块 Auxiliary Pad	FDQ1015	1	M3	T10
胶木导向块 Bakelite Pad	DQ12JM	1	M5	T20

刀片槽型选用参考深孔钻, 可根据用户要求特别定制, 辅助导向块及胶木导向块由用户选配。
Refer to deep drills for inserts chip breaker; Special design as per customer's request is available
Auxiliary guide pad and bakelite guide pad are optional as per customer's request.